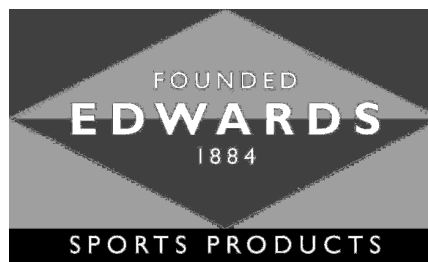


IMPORTANT:



ASSEMBLY & SAFETY INSTRUCTIONS

Code: 2717/80

(Please read carefully then store safely for future reference)

Edwards Sports Products Ltd
North Mills
BRIDPORT
Dorset DT6 3BE

Tel: 01308 424 111
Fax: 01308 455 800
E-mail: sales@edsports.co.uk
Web: www.edsports.co.uk

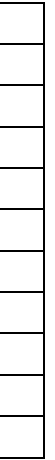
**Conforms to:
BS 8462:2005
when correctly assembled**

PRODUCT: MINI SOCCER 12' X 6' 80MM
ALUMINIUM FREESTANDING GOALS

CATALOGUE CODE: 2717/80
INCLUDED COMPONENTS:



2 X CROSSBARS 2913/80/CB)
4 X UPRIGHTS (2911/80/6-U)
4 X NET SUPPORTS (2911/80/6-BT)
12 X NUTS (NUT-M10-S-ZP)
12 X BOLTS (BOL-M10-25-SQ-ZP)
40 X NET HOOKS (HK-03/A)
2 X DROPOVER BACKBAR (2717/BB)
4 X ELBOW JOINTS (STEEL-EJ-80)
10 X WASHERS (WAS-M10-ZP)
12 X COUNTERWEIGHTS (2909/CW)
2 X 2.5MM FOOTBALL NETS (20481)



Recommendations and warnings:

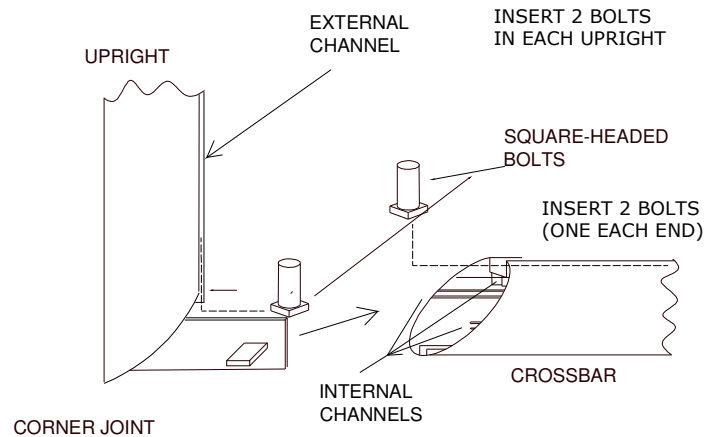
- No climbing or swinging on the posts
- Installation or movement of any product or equipment should be carried out under the supervision of a competent person using due diligence and risk assessment
- Take extreme care when raising posts into position
- Goals showing signs of excessive wear should be immediately withdrawn from use
- Tighten nuts and bolts before each game
- Maintain regularly to prolong the life of posts and ensure safety of users
- Goal only adheres to Safety Standard when correctly assembled



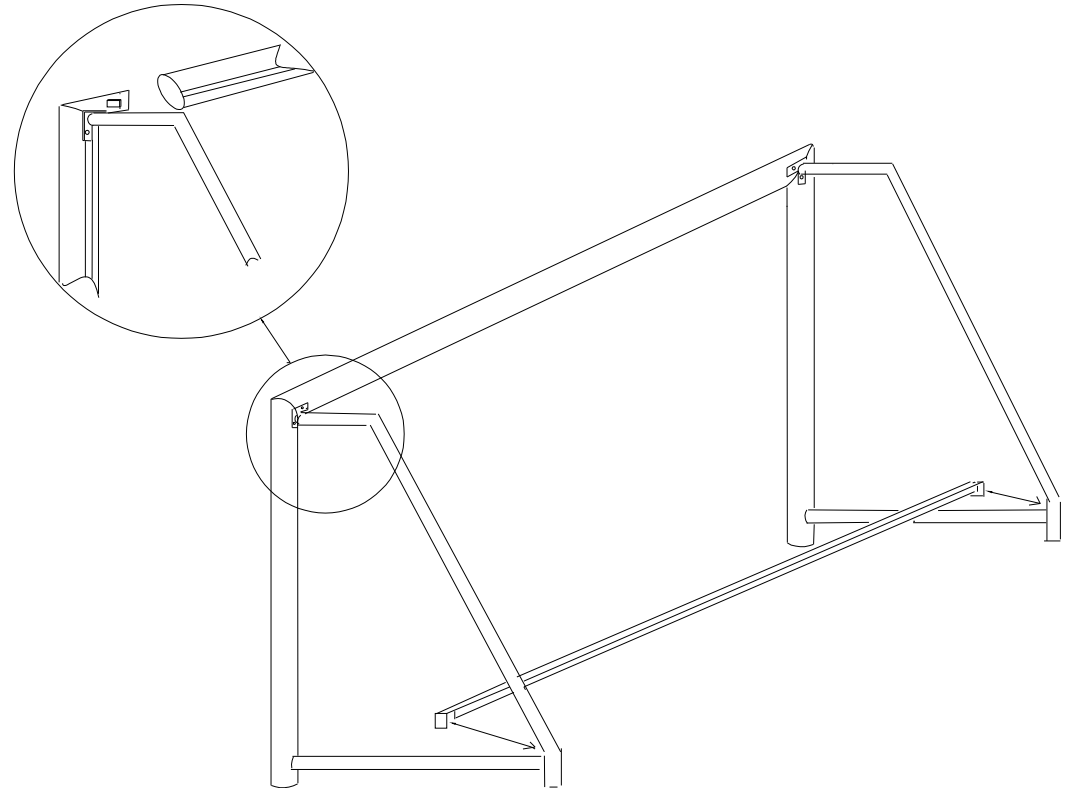
F5 MINI SOCCER 12' X 6' 80MM ALUMINIUM FREESTANDING

- **DRAWINGS NOT TO SCALE**

- **Stage 1** Lay uprights and crossbar on ground and insert bolts for net support attachment to **external** channels. To connect the crossbar to the side frame, insert elbow joints into **internal** channels in crossbar, then push this construction into the side frame - secure with nuts and bolts.



- **Stage 2** With the side frame securely attached to the crossbar **carefully** raise the construction to put uprights in vertical position.



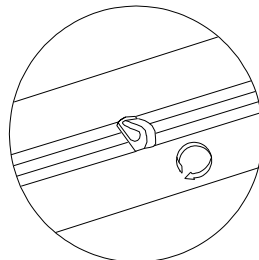
- **Stage 3** Attach square backbar to returns. Counterweights fit over backbar.

Fitting the net clips:

The rectangular lug on the back of the clip slots into the channel in the aluminium and the clip is twisted to secure it in place.

We recommend the use of an adjustable spanner to make it easier to twist.

Do not hit the clip to insert it into the channel as this risks serious damage to both the clip and the frame of the goal.



PLEASE DIRECT ANY CONCERNS REGARDING THIS PRODUCT TO YOUR SUPPLIER AND RETAIN THESE INSTRUCTIONS FOR FUTURE REFERENCE

