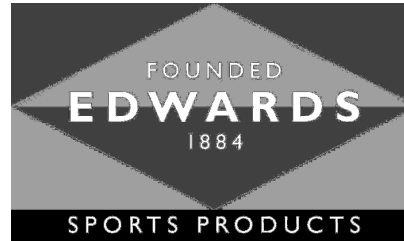


IMPORTANT:

ASSEMBLY & SAFETY INSTRUCTIONS

Code: 2916

(Please read carefully then store safely for future reference)



Edwards Sports Products Ltd
North Mills
BRIDPORT
Dorset DT6 3BE

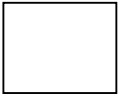
Tel: 01308 424 111
Fax: 01308 455 800
E-mail: sales@edsports.co.uk
Web: www.edsports.co.uk

**Conforms to
BS 8462:2005
when correctly anchored**

PRODUCT: 5-A-SIDE STEEL FREESTANDING GOALS 8' X 4'

CATALOGUE CODE: 2916
INCLUDED COMPONENTS:

2 X CROSSBARS (2916/CB)
4 X UPRIGHTS (2910/U)
4 X NET SUPPORTS (2910/B)
8 X NUTS (NUT-M10-S-ZP)
4 X BOLTS (BOL-M8-60-ZP)
4 X BOLTS (BOL-M8-70-ZP)
8 X NUTS (NUT-M8-ZP)
8 X BOLTS (BOL-M10-50-ZP)
4 X LINK PIN (LINK PIN)
2 X BACKBARS (2916/BB)



Recommendations and warnings:

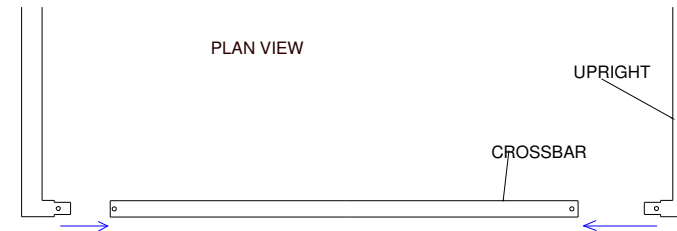
- No climbing or swinging on the posts
- Installation or movement of any product or equipment should be carried out under the supervision of a competent person using due diligence and risk assessment
- Take extreme care when raising posts into position
- Goals showing signs of excessive wear should be immediately withdrawn from use
- Tighten nuts and bolts before each game
- Maintain regularly to prolong the life of posts and ensure safety of users
- Goal only adheres to Safety Standard when correctly anchored into position



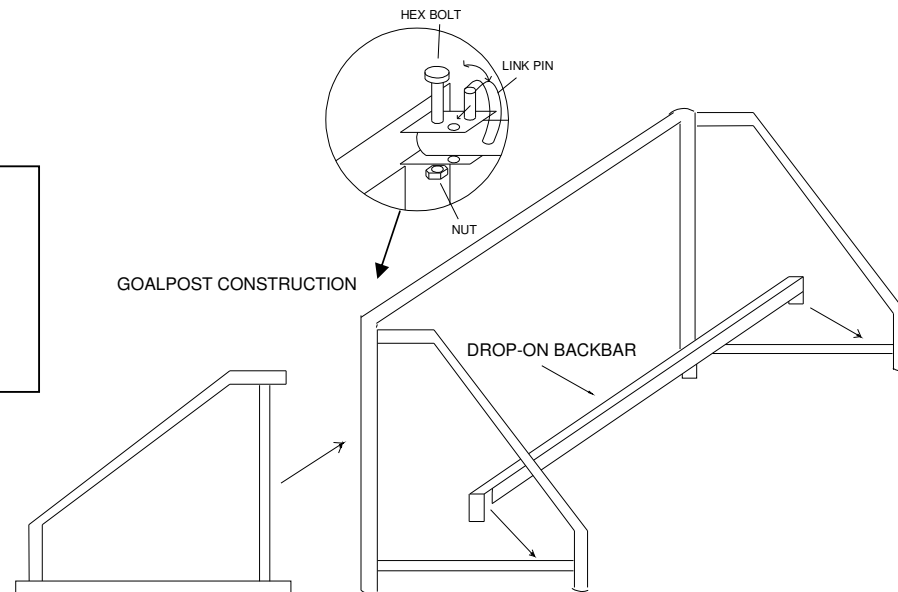
2916 5-A-SIDE STEEL FREESTANDING GOALS 8' X 4'

- **DRAWINGS NOT TO SCALE**

- **Stage 1** Lay assembled uprights and crossbar on ground and connect using nuts and bolts provided



- **Stage 2** Carefully raise construction making uprights vertical and unfold net supports (perpendicular to uprights) to stabilise structure.



PLEASE DIRECT ANY CONCERNS REGARDING THIS PRODUCT TO YOUR SUPPLIER AND RETAIN THESE INSTRUCTIONS FOR FUTURE REFERENCE

