

**Assembly & Safety Instructions for
Aluminium Socketed Goals
Code: 2816/80 Mini Soccer 16' x 6'**



Goals shown with nets and continental net supports which are available separately

**Conforms to
BS EN 748:2004 (senior)
BS 8462:2005 (youth)
when correctly assembled**

**Code of Practice BS8461:2005
includes, inspection,
maintenance/care and storage
of goalposts**

**All Edwards football goals are
independently tested by an
accredited testing house to
British and European
standards**

**Edwards is a suitable supplier
to the Football Foundation
Goalpost Safety Scheme**

Component check list

- 2 X CROSSBARS (2911/80/CB)
- 4 X UPRIGHTS (2816/80/SU)
- 4 X SOCKETS (2712/80/1)
- 4 X CORNER BRACKET (2711/BTPLT)
- 12 X NUTS (NUT-M10-S-ZP)
- 12 X BOLTS (BOL-M10-25-SQ-ZP)
- 50 X NET HOOKS (HK-03/A)
- 4 X ELBOW JOINTS (STEEL-EJ-80)
- 12 X WASHER (WAS-M10-ZP)
- 4 X NET SUPPORTS Order separately (2198/1)

Packer's initials

Despatched Received

Despatched	Received
<input type="checkbox"/>	<input type="checkbox"/>
<input type="checkbox"/>	<input type="checkbox"/>
<input type="checkbox"/>	<input type="checkbox"/>
<input type="checkbox"/>	<input type="checkbox"/>
<input type="checkbox"/>	<input type="checkbox"/>
<input type="checkbox"/>	<input type="checkbox"/>
<input type="checkbox"/>	<input type="checkbox"/>
<input type="checkbox"/>	<input type="checkbox"/>
<input type="checkbox"/>	<input type="checkbox"/>
<input type="checkbox"/>	<input type="checkbox"/>

Unwrap each component part carefully to avoid any possibility of damaging the paintwork

Please read carefully prior to assembly then store safely for future reference

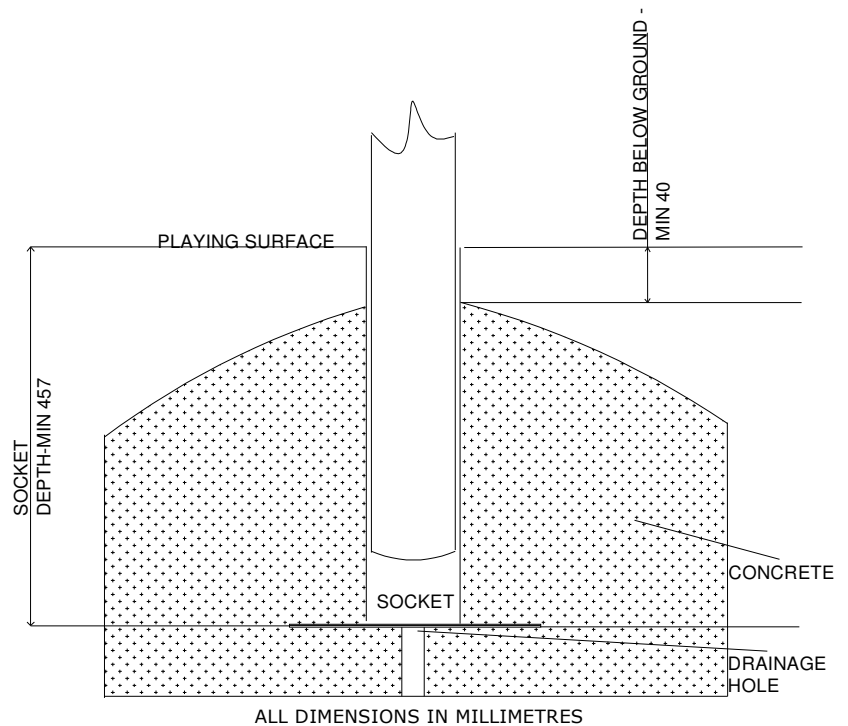
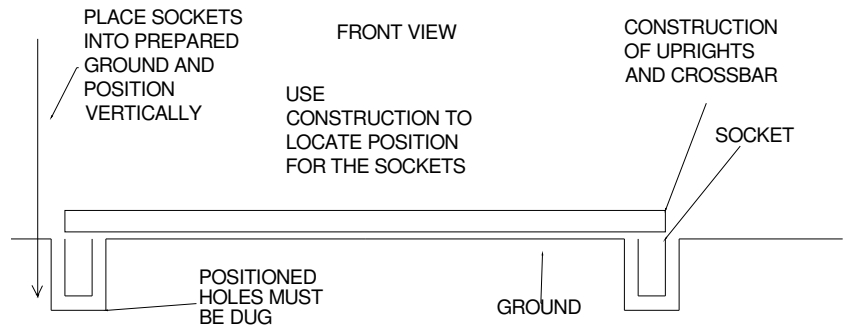
INSTALLATION INSTRUCTIONS FOR SOCKETED GOALS

- DRAWINGS NOT TO SCALE**

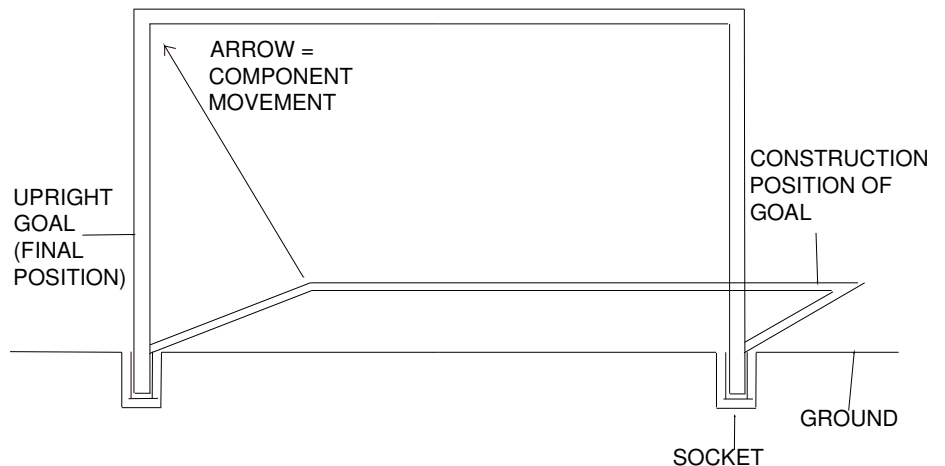
Sockets must be concreted into the ground and be allowed to set firmly before erecting the goals, however to obtain the exact correct location for placing the sockets it may be helpful to assemble the goal (see stage 1 below) before starting excavation:

Sockets should always be set into an amount of 'RC30' concrete, required to support forces exerted on the goal of 1800 N (vertical) and 1100 N (horizontally) for one minute. This is indicated by FA safety standards and is regardless of ground conditions.

- Excavate holes of appropriate shape and size
- Insert sockets
- Clamp into vertical position with top of socket level with ground surface
- Concrete into position
- Leave to set



Raise posts into position with care and slot into secured sockets in ground.



To obtain extra copies of socket installation instructions please visit our website:
www.edsports.co.uk/download_assembly.htm

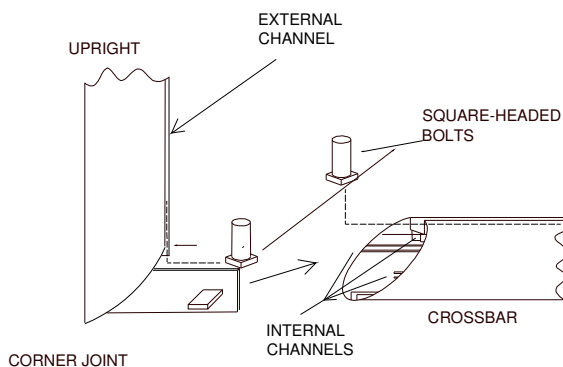
ASSEMBLY INSTRUCTIONS FOR ALUMINIUM SOCKETED GOALS

FOR CODE NUMBERS: **2713/80** JUNIOR 21' X 7'
 2716/80 MINI SOCCER 12' X 6'
 2816/80 7-A-SIDE 16' X 6'

- DRAWINGS NOT TO SCALE**

- Stage 1** With the uprights and crossbar on ground insert bolts for net support attachment to **external** channels. To connect the crossbar and uprights, insert elbow joints into **internal** channels in crossbar, then push this construction into the uprights.

Tighten all bolts ensuring no damage is caused to product paintwork.



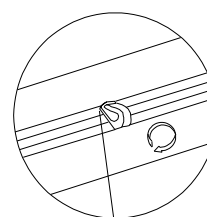
Note: If supplied with net supports, allow for 1 extra bolt in each upright and 2 extra bolts in crossbar (one at each end)

Fitting the net clips:

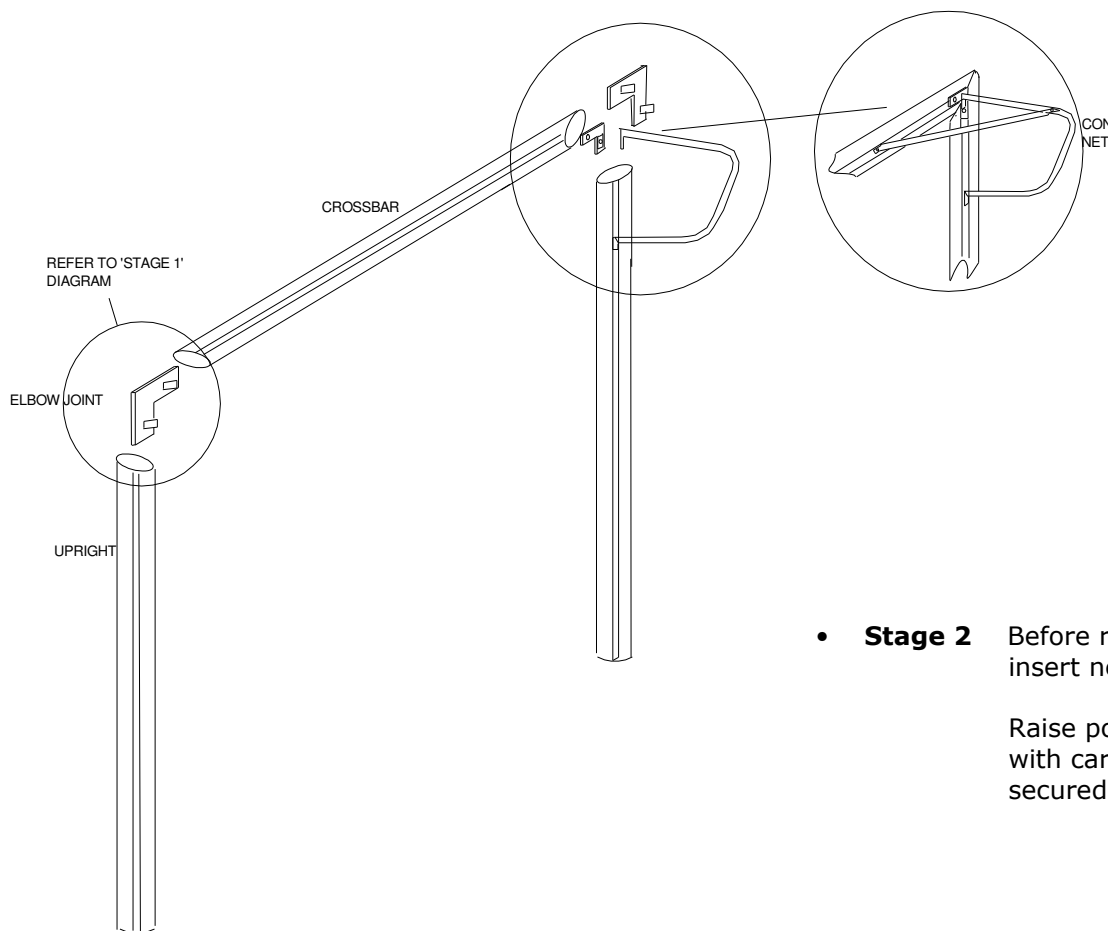
The rectangular lug on the back of the hook slots into the channel in the aluminium and the hook is twisted to secure it in place.

We recommend the use of an adjustable spanner to make it easier to twist.

Do not hit the hook to insert it into the channel as this risks serious damage to both the hook and the frame of the goal.



OPEN END OF CLIP FACING UPWARDS ON CROSSBAR AND OUTWARDS ON UPRIGHTS



- Stage 2** Before raising the posts, insert net clips into channel

Raise posts into position with care and slot into secured sockets in ground.

Edwards Sports Products Ltd
 North Mills
 BRIDPORT
 Dorset DT6 3BE

Tel: 01308 424 111
 Fax: 01308 455 800
 E-mail: sales@edsports.co.uk
 Web: www.edsports.co.uk



To obtain extra copies of assembly instructions please visit our website:
www.edsports.co.uk/download_assembly.htm