

Assembly & Safety Instructions for Aluminium Socketed Goals Code: 2711/Q Senior 24' x 8'



Goals shown with nets which are available separately

**Conforms to
BS EN 748:2004 (senior)
BS 8462:2005 (youth)
when correctly assembled**

**Code of Practice BS8461:2005
includes, inspection,
maintenance/care and storage
of goalposts**

**All Edwards football goals are
independently tested by an
accredited testing house to
British and European
standards**

**Edwards is a suitable supplier
to the Football Foundation
Goalpost Safety Scheme**

Component check list

- 2 X CROSSBARS (2711/CB)
- 4 X UPRIGHTS (2711/U)
- 4 X SOCKETS (2712/1-LK)
- 4 X CORNER BRACKET (2711/BRK/A)
- 12 X NUTS (NUT-M10-S-ZP)
- 16 X BOLTS (BOL-M10-25-SQ-ZP)
- 24 WASHERS (WAS-M10-ZP)
- 100 X NET HOOKS (HK-03/A)
- 4 X ELBOW JOINTS (ALU-EJ-B)
- 4 X KNOB SCAL/KNOB-M10

Unwrap each component part carefully to avoid any possibility of damaging the paintwork

Packer's initials

Despatched Received

Please read carefully prior to assembly then store safely for future reference

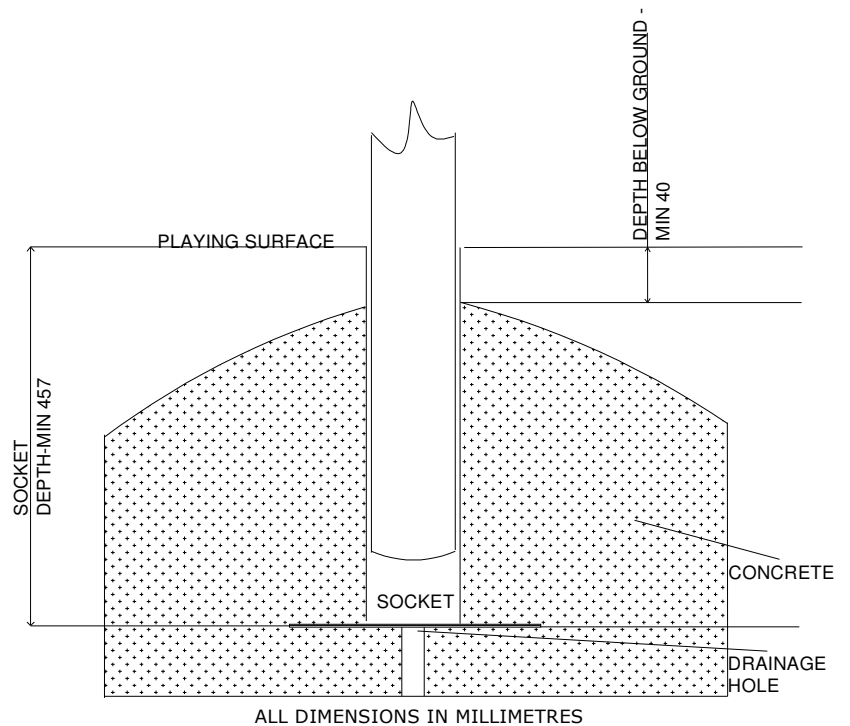
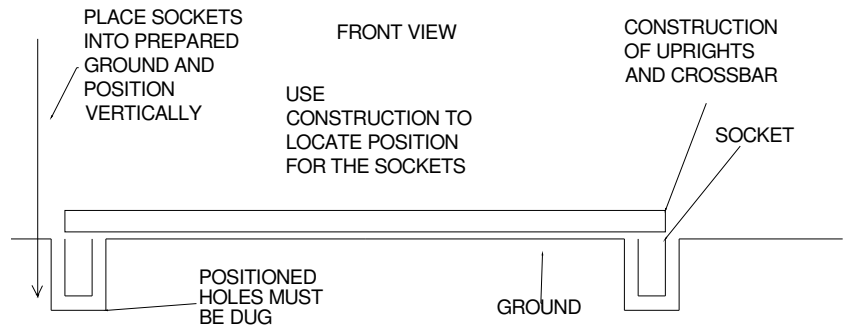
INSTALLATION INSTRUCTIONS FOR SOCKETED GOALS

- DRAWINGS NOT TO SCALE**

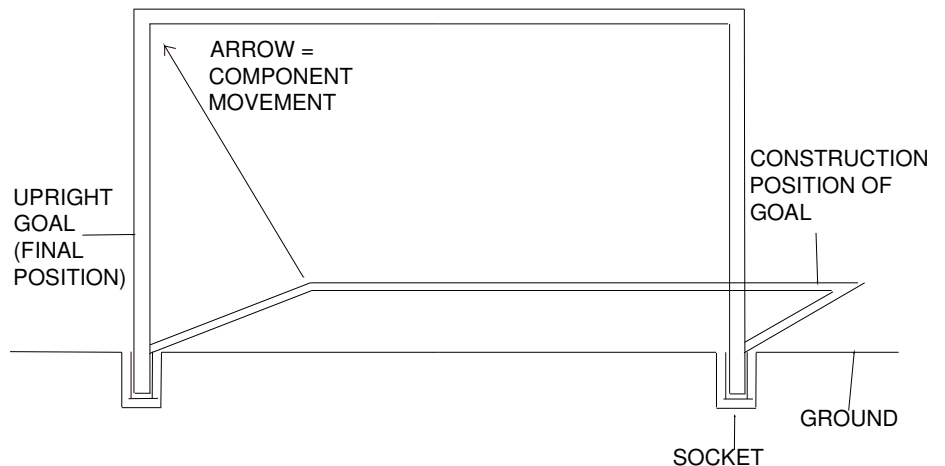
Sockets must be concreted into the ground and be allowed to set firmly before erecting the goals, however to obtain the exact correct location for placing the sockets it may be helpful to assemble the goal (see stage 1 below) before starting excavation:

Sockets should always be set into an amount of 'RC30' concrete, required to support forces exerted on the goal of 1800 N (vertical) and 1100 N (horizontally) for one minute. This is indicated by FA safety standards and is regardless of ground conditions.

- Excavate holes of appropriate shape and size
- Insert sockets
- Clamp into vertical position with top of socket level with ground surface
- Concrete into position
- Leave to set



Raise posts into position with care and slot into secured sockets in ground.



To obtain extra copies of socket installation instructions please visit our website:
www.edsports.co.uk/download_assembly.htm

ASSEMBLY INSTRUCTIONS FOR ALUMINIUM SOCKETED GOALS

**FOR CODE NUMBER:
2711/Q SENIOR 24' X 8'**

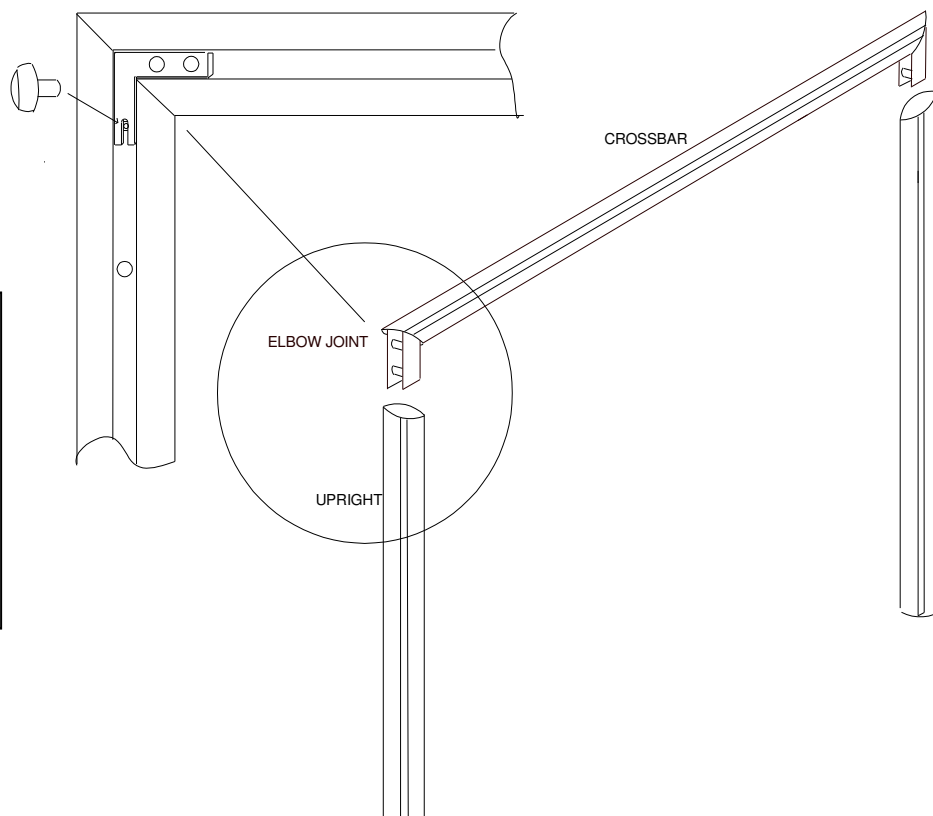
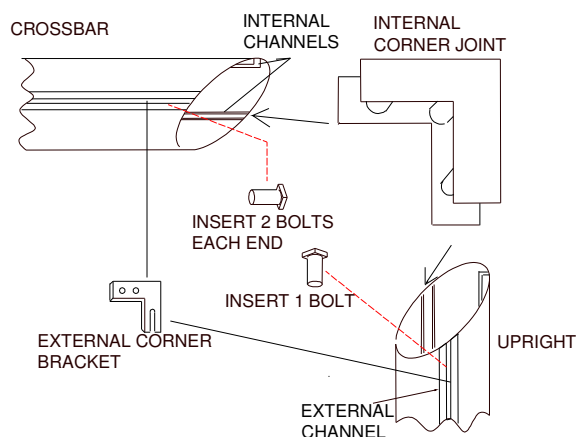
- DRAWINGS NOT TO SCALE**

- Stage 1** Lay uprights and crossbar on ground and insert the crossbar into the uprights, secure crossbar to upright by tightening the knob, making sure the bolt is firmly located in notch on the corner bracket.

Tighten all bolts ensuring no damage is caused to product paintwork.

- Stage 2** Before raising the posts, insert net clips into channel

Raise posts into position with care and slot into secured sockets in ground.

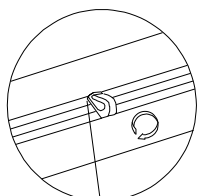


Fitting the net clips:

The rectangular lug on the back of the hook slots into the channel in the aluminium and the hook is twisted to secure it in place.

We recommend the use of an adjustable spanner to make it easier to twist.

Do not hit the hook to insert it into the channel as this risks serious damage to both the hook and the frame of the goal.



OPEN END OF CLIP FACING UPWARDS ON CROSSBAR AND OUTWARDS ON UPRIGHTS

Edwards Sports Products Ltd
North Mills
BRIDPORT
Dorset DT6 3BE

Tel: 01308 424 111
Fax: 01308 455 800
E-mail: sales@edsports.co.uk
Web: www.edsports.co.uk



To obtain extra copies of assembly instructions please visit our website:
www.edsports.co.uk/download_assembly.htm