
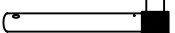
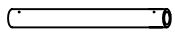
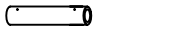

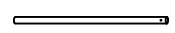





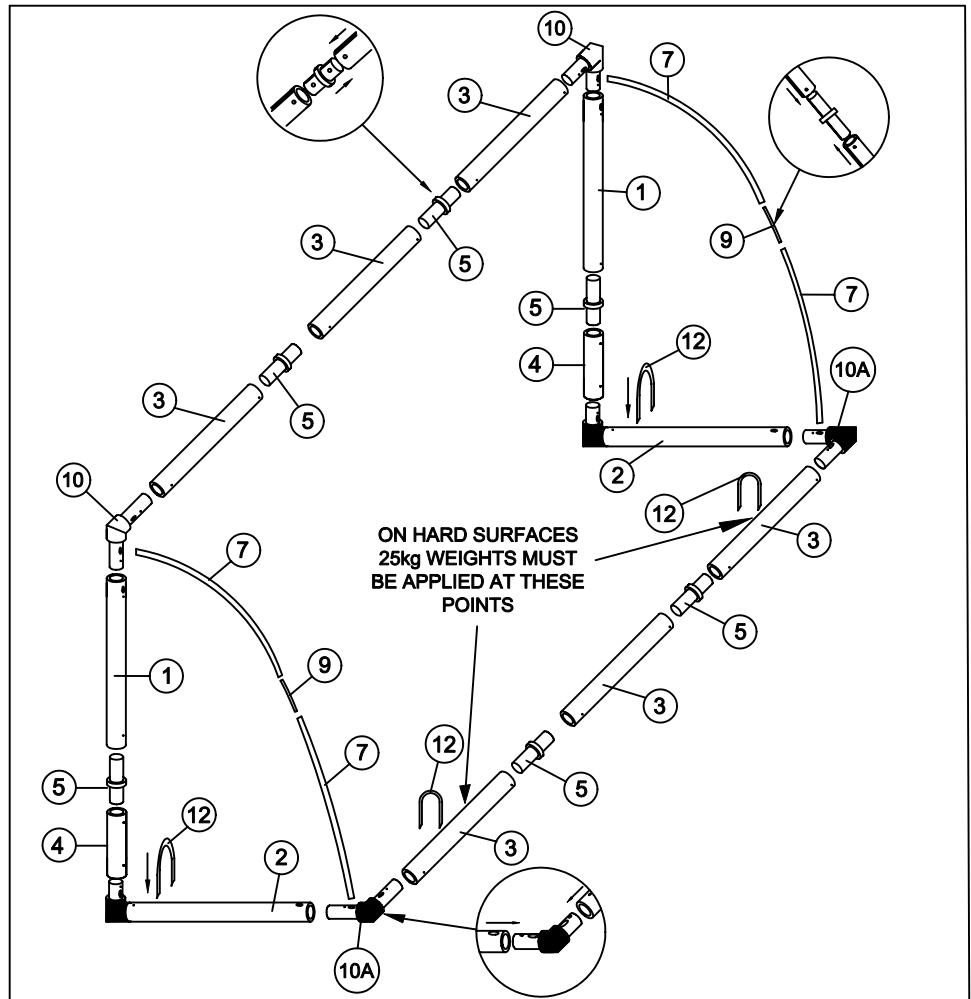


COMPONENT CHECKLIST AND ASSEMBLY INSTRUCTIONS

COMPONENT	No	Qty
	1	2
	2	2
	3	6
	4	2
	5	6
	7	4
	9	2
	10	2
	10A	2
	12	4
NET	13	1
 QUICK CLIPS	14	1 bag
KITBAG	15	1



SAFETY INSTRUCTIONS

1. Always check the goal post and net for defects before use and replace damaged parts.
 2. Do not use goal with faulty parts.
 3. The goal must always be secured to the ground. Weights to be used on hard surfaces, ground anchors on grass.
 4. Never climb on the net or the goal frame.
 5. The goal must never be used without the net fitted.
- Please adhere to the safety instructions at all times.**

ASSEMBLY INSTRUCTIONS

1. Assemble the base first.
2. Assemble the cross bar and uprights.
3. Fit the cross bar and upright assembly to the base.
4. Assemble the tension bars items 7 & 9 together.
5. Fit the tension bar assemblies to the goal. It is important that the tension bar is fitted into the top of the goal first, then fit into the large hole at the back of the base.
6. Fit the net by wrapping the net round the post and clipping on the inside. Coloured cord denotes top of the net.
7. Ensure the posts are upright and the cross bar is level before securing to the ground with the anchors.

INFORMATION

1. When the goal is not being used, dismantle and store in a secure area.
2. This goal has been independently tested and complies with PAS 36-2:2000.
3. Not suitable for children under 3 years old due to small parts i.e. quick clips and length of cord.
4. It is recommended that the goal is assembled by an adult.

B.G. SPORTS INTERNATIONAL LIMITED - (T/A Samba Sports)
Walton Street - Colne - Lancashire BB8 0EN UNITED KINGDOM

Tel: +44 (0)1282 860077 Fax: +44 (0)1282 860033

Email : info@sambasports.co.uk Web sites: www.sambasports.co.uk and www.sambaeurope.com

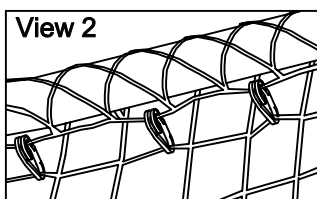
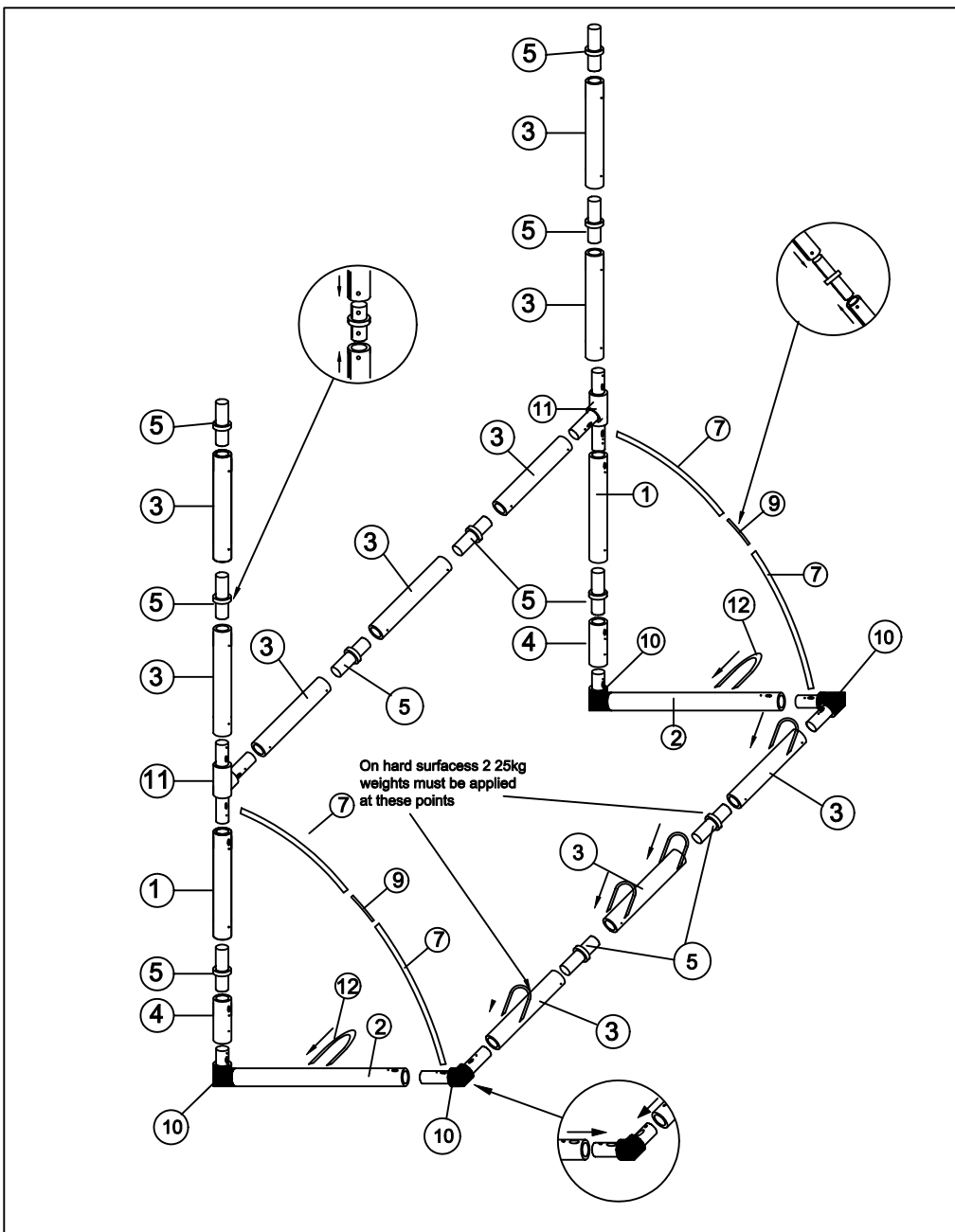


Soccer Rugby - 2 in 1 Goal

SIZE 12' X 6' (366cm X 183cm)

COMPONENT CHECKLIST AND ASSEMBLY INSTRUCTIONS

COMPONENT	No	Qty
	1	2
	2	2
	3	9
	4	2
	5	10
	7	4
	9	2
	10	2
	11	2
	12	6
NET	13	1
QUICK CLIPS	14	1 bag
BAG	15	1



Points to note when assembling the Mini Rugby Post:

1. Assemble the Rugby post as the goal overleaf, replacing parts 10 with parts 11 at the top left and right hand corners.
2. Ensure that the posts are upright and the crossbar is level before securing with six staples at approximately 45 degrees.
3. When the main post frame has been secured place the extra tubing parts 3 & 5 on the verticals to produce the mini rugby posts.

It is recommended that the following safety procedures are adhered to at all times:

1. Place the ground anchors over the base tubes at the positions shown above. On hard surfaces use at least two 25kg weights, apply from the rear of the goal onto the back bar approximately 1/4 of the way along from each corner.
2. NEVER FIX THE NET IN PLACE WHEN USING THE MINI POSTS FOR RUGBY.
3. Do not climb or swing on the goals.
4. When the goal is not in use dismantle and store in a secure dry area.
5. Not suitable for children under 3 years of age due to small parts, (i.e. quick clips).

B.G. SPORTS INTERNATIONAL LIMITED - (T/A Samba Sports)
 Walton Street - Colne - Lancashire BB8 0EN UNITED KINGDOM
 Tel: +44 (0)1282 860077 Fax: +44 (0)1282 860033

Email : info@sambasports.co.uk Web sites: www.sambasports.co.uk and www.sambaeurope.com